

■ Datasheet: CoolSplice-Terminal



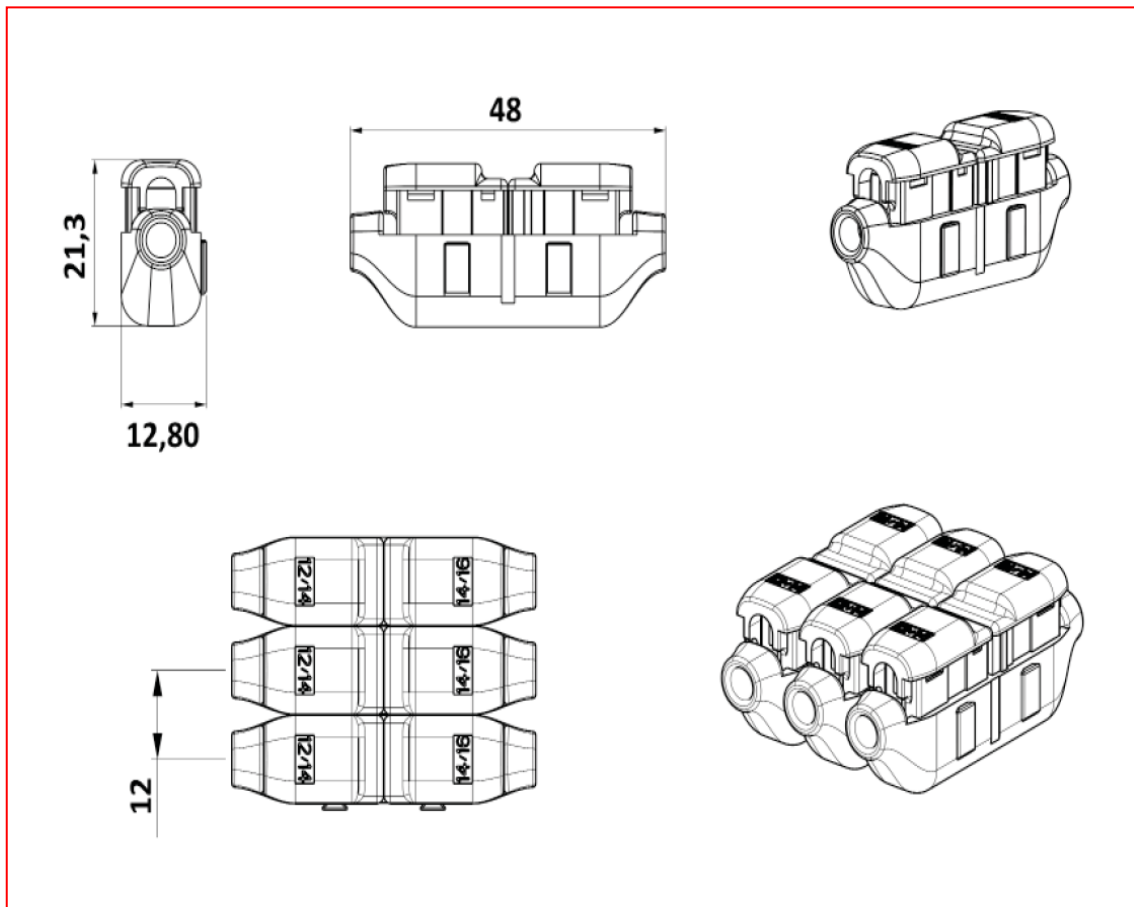
■ SCHRACK-INFO

- Enable waterproof solution with an IP rated splice
- Easy factory using push button termination
- Terminals with cutting technology, no stripping necessary
- Ideal for external clamping

■ Technical data

Terminal Cross-Sections:	IKG25150--	1 x 1,5 - 2,5 mm ² and 1 x 0,75 - 1,5 mm ²
		1 x 16/18 AWG and 1 x 14/16 AWG
	IKG40250--	1 x 2,5 - 4 mm ² and 1,5 - 2,5 mm ²
		1 x 12/14 AWG and 16/18 AWG
Wire design:		Flexible conductors without wire end ferrules or rigid conductors.
Current Rating:		15A
Operating Voltage:		600 V-AC
		400 V-DC
Surge Voltage Strength:		3kV-AC
Temperature range:		-40°C to 75°C
Degree of protection:		IPx5
		(2 Hours, 1 m under Water)

▀ Dimensions



▀ Articles

Description	Order No.
CoolSplice Connector 0,75-1,5 mm ² and 1,5-2,5 mm ²	IKG25150--
CoolSplice Connector 1,5-2,5 mm ² and 2,5-4 mm ²	IKG40250--