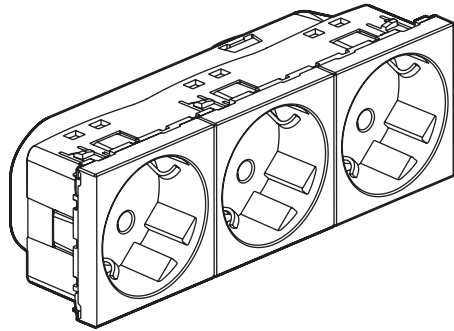
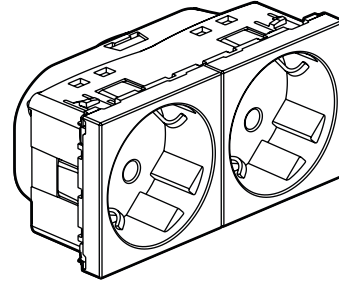


Mosaic™
Multiple socket outlets, multisupport
German standard

Cat. No(s): 0 772 52/53/54/72/73/74/81/82/83/90/91/92
0 792 82/83 - 0 793 72L/73L



0 793 73L



0 793 72L

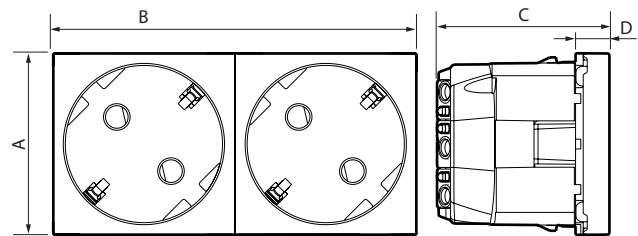
1. USE

Multiple 2 P+E socket outlets, 45° inclined, with German standard protective eclipses.
 The outlets can be installed in flush mounting boxes, surface mounting frames, floor boxes, columns, multi-outlet extensions, office strips, etc.

2. RANGE

Description	Cat. No.
2 x 2 P+E socket - White cover plate - 4 modules	0 772 52
2 x 2 P+E socket with indicator - White cover plate 4 modules	0 772 90
2 x 2 P+E socket with indicator - Aluminium cover plate 4 modules	0 792 82
2 x 2 P+E socket with indicator - Matt black cover plate 4 modules	0 793 72L
2 x 2 P+E socket - Red cover plate 4 modules	0 772 72
2 x 2 P+E socket with indicator - Red cover plate 4 modules	0 772 91
2 x 2 P+E tamperproof socket - Red cover plate 4 modules	0 772 81
2 x 2 P+E tamperproof socket - Red cover plate 4 modules	0 772 92
3 x 2 P+E socket - White cover plate 6 modules	0 772 53
3 x 2 P+E socket - Aluminium cover plate 6 modules	0 792 83
3 x 2 P+E socket - Matt black cover plate 6 modules	0 793 73L
3 x 2 P+E socket - Red cover plate 6 modules	0 772 73
3 x 2 P+E tamperproof socket - Red cover plate 6 modules	0 772 82
4 x 2 P+E socket - White cover plate 8 modules	0 772 54
4 x 2 P+E socket - Red cover plate 8 modules	0 772 74
4 x 2 P+E tamperproof socket - Red cover plate 8 modules	0 772 83

3. DIMENSIONS (mm)



References	A	B	C	D
0 793 72L	45	90	43	8.5
0 793 73L	45	135	43	8.5
0 772 52/90/72//91/81/92 0 792 82	45	90	40	8.5
0 772 53/73/82 - 0 792 83	45	135	40	8.5
0 772 54/74/83	45	180	40	8.5

4. CONNECTION

Number of terminals: 3 inputs/3 outputs (grey - green - grey)
 Terminal type : automatic terminals
 Terminal capacity: 1.5 mm² or 2.5 mm²
 Wiring: flexible/rigid
 Stripping length: 13 mm

5. TECHNICAL DATA

■ 5.1 Mechanical characteristics

Impact resistance: IK 07

Protection against solid bodies and/or liquid: IP 40

■ 5.2 Material characteristics

Mechanism casing: PC

Cover plates: PC

Halogen-free

UV-resistant

Self-extinguishing:

850°C/30 s for insulating components holding live parts in place.

650°C/30 s for the other insulating components.

■ 5.3 Electrical characteristics

Sockets: Current: 16 A

Voltage: 250 V~

Indicator: Current: 2,4 mA

Voltage: 230 V~

■ 5.4 Climate characteristics

Storage temperature: -10°C to +70°C

Usage temperature: -5°C to +35°C

6. CLEANING

Clean the surface with a cloth.

Do not use acetone, tar-removing cleaning agents or trichloroethylene.

■ 6.1 Resistance to cleaning products

Resistant to the following products: hexane (NF C 61-314), methylated spirit, soapy water, diluted ammonia, bleach diluted to 10%, window-cleaning products, pre-impregnated wipes.

■ 6.2 Resistance to hospital grade cleaning products

Resistant to the following products: Anios, surfanios, bactilycine, diluted hydrogen peroxide (35%).

Caution: Always test before using other special cleaning products.

7. ACCESSOIRES

Cat. No. 0 502 99: tamperproof

Cat. No. 0 676 63: Indicator light

8. STANDARDS AND APPROVALS

Compliant with installation and manufacturing standards.

See e-catalogue.