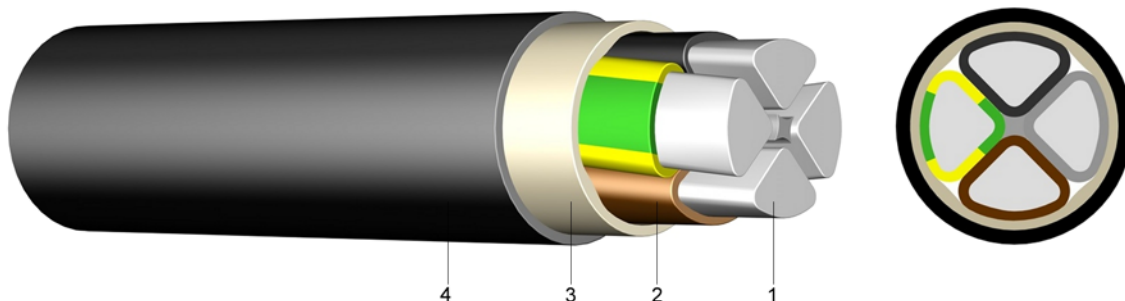


E-AYY PVC Insulated Cable with Aluminium Conductor

Application: This power cable is suitable for fixed installations, preferably in cable ducts, indoors, outdoors, in water or underground if no mechanical damage is to be expected.



Construction:

- 1 solid (SE) or stranded (RM/SM) aluminium wires
- 2 core insulation of polyvinylchloride (PVC)
- 3 PVC core covering or taping
- 4 outer sheath of polyvinylchloride (PVC), black, UV-resistant

Information: short circuit temperature at core (max. 5 sec.)
 <=300mm² --> 160°C
 >300mm² --> 140°C

Standards: ÖVE K 23 and K 603
 HD 603 S1
 DIN EN 60228 class 1 and 2 (construction)
 HD 308 S2 (core identification)

Technical data:

Nominal voltage U ₀ /U		[V]	600 / 1000 Volt
Test voltage		[V] _{AC}	4000
Temperature range	in motion		- 5°C till +70°C
	fixed		-20°C till +70°C
Bending radius	single-core style	x diameter	15
	multi-core style	x diameter	12
Flammability	standard		EN 60332-1-2

Number of cores and nominal cross section mm ²	Aluminium figure	Overall diameter	Weight	Current carrying capacity ground	Current carrying capacity air
	kg/km	appr. mm	appr. kg / km	A	A
1 x 25 RM	74	11	174	106	87
1 x 35 RM	103	12	209	127	107
1 x 50 RM	147	14	282	151	131
1 x 70 RM	206	16	363	185	166
1 x 95 RM	279	18	520	222	205
1 x 120 RM	353	19	557	253	239
1 x 150 RM	441	21	674	284	273
1 x 185 RM	544	24	826	322	317
1 x 240 RM	706	26	1.052	375	378
1 x 300 RM	882	29	1.282	425	437
1 x 400 RM	1.200	32	1.598	487	513
1 x 500 RM	1.510	36	2.022	558	600
1 x 630 RM	1.900	40	2.200	635	701
3 x 240/120 SM	2.470	55	4.215	364	338



Number of cores and nominal cross section mm ²	Aluminium figure	Overall diameter	Weight	Current carrying capacity ground	Current carrying capacity air
	kg/km	appr. mm	appr. kg / km	A	A
4 x 150 SE	1.764	45	2.594	275	246
4 x 25 RM	294	25	887	102	82
4 x 35 SM	412	26	796	123	100
4 x 50 SM	588	27	1.017	144	119
4 x 70 SM	823	30	1.312	179	152
4 x 95 SM	1.117	34	1.698	215	186
4 x 120 SM	1.411	40	2.459	245	216
4 x 150 SM	1.764	43	2.594	275	246
4 x 185 SM	2.176	50	3.777	313	285
4 x 240 SM	2.822	54	4.106	364	338
5 x 16 RM	235	22	675		
5 x 25 RM	368	26	1.018	102	81
5 x 35 RM	515	30	1.316	121	99
5 x 50 SM	735	32	1.549	144	119
5 x 70 SM	1.071	37	2.021	179	152
5 x 95 SM	1.484	41	2.598	215	186
5 x 120 SM	1.764	47	3.201	245	216
5 x 150 RM	2.218	56	4.300	275	246
5 x 185 RM	2.736	62	5.350	313	285
5 x 240 RM	3.530	71	7.580	364	338