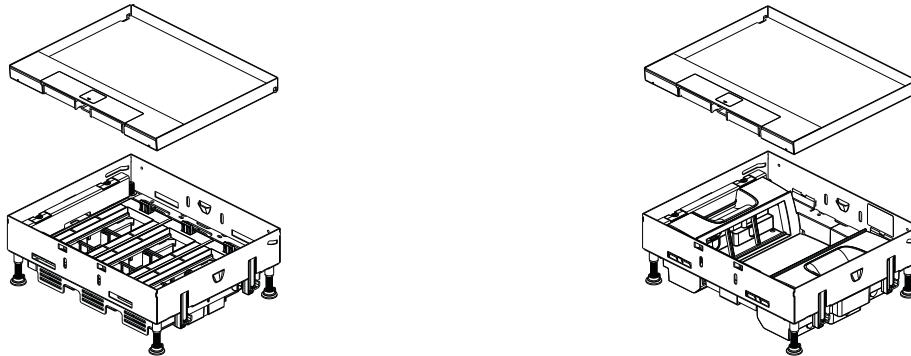


Floor Boxes - Raised floor Flush Range

Cat. No(s) : 0 880 26/27/28 - 0 881 03/04/05/06/07/08-
 0 881 20/21/22/23/24/25- 0 881 39/40/41/42 - 0 881
 45/46/47/48/49/50



1. USE

Flush version floor boxes to install in a raised floor of any kind of tertiary buildings (offices, public building, hospitals, schools/universities, shops, showrooms, hotels...). To be equipped with power, data, USB sockets.
 The height of the floor box can be adapted to match the raised floor installation height. Possibility to choose between different finishing's.
 We advise to use 2p+E sockets, 45° inclined version with upward earth pin.

We advise you to use gloves when handling the products.

MOUNTING PRINCIPLE



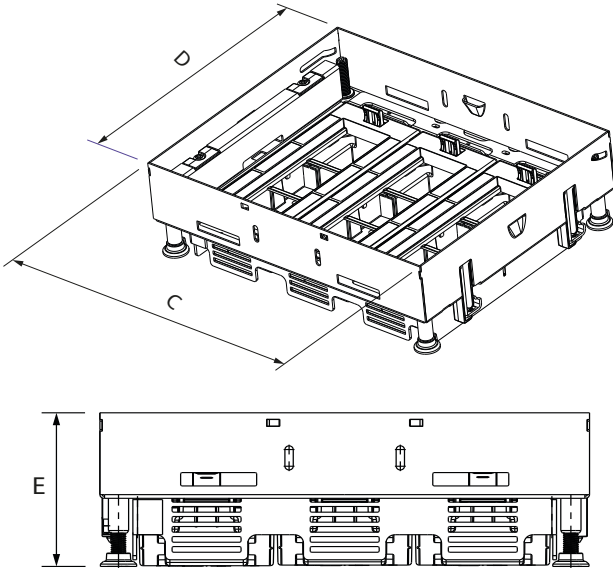
2. SELECTION TABLE

SOCKET MOUNTING POSITION	CAPACITY	FLOOR BOX SUPPORT KITS	LID FLOORING THICKNESS ≤ 15 MM		FINISHING PLATES (OPTIONAL)		INSULATION BOXES
							
Adjustable horizontal  Hmin: 92 mm (floor coating included)	12 (3 x 4) modules	0 881 20	Stainless steel	0 881 03	Stainless steel	0 881 45	-
			Brass	0 881 06	Brass	0 881 48	
	18 (3 x 6) modules	0 881 21	Stainless steel	0 881 04	Stainless steel	0 881 46	-
			Brass	0 881 07	Brass	0 881 49	
	24 (3 x 8) modules	0 881 22	Stainless steel	0 881 05	Stainless steel	0 881 47	-
			Brass	0 881 08	Brass	0 881 50	
Fixed Vertical  Hmin: 92 mm (floor coating included)	8 (2 x 4) modules	0 881 23	Stainless steel	0 881 03	Stainless steel	0 881 45	0 880 26
			Brass	0 881 06	Brass	0 881 48	
	12 (2 x 6) modules	0 881 24	Stainless steel	0 881 04	Stainless steel	0 881 46	0 880 27
			Brass	0 881 07	Brass	0 881 49	
	16 (2 x 8) modules	0 881 25	Stainless steel	0 881 05	Stainless steel	0 881 47	0 880 28
			Brass	0 881 08	Brass	0 881 50	
Access covers  Hmin: 81 mm (floor coating included)	For lid 8/12 modules	0 881 39	Stainless steel	0 881 03	Stainless steel	0 881 45	-
			Brass	0 881 06	Brass	0 881 48	
	For lid 12/18 modules	0 881 40	Stainless steel	0 881 04	Stainless steel	0 881 46	-
			Brass	0 881 07	Brass	0 881 49	
	For lid 16/24 modules	0 881 41	Stainless steel	0 881 05	Stainless steel	0 881 47	-
			Brass	0 881 08	Brass	0 881 50	

3. DIMENSIONS

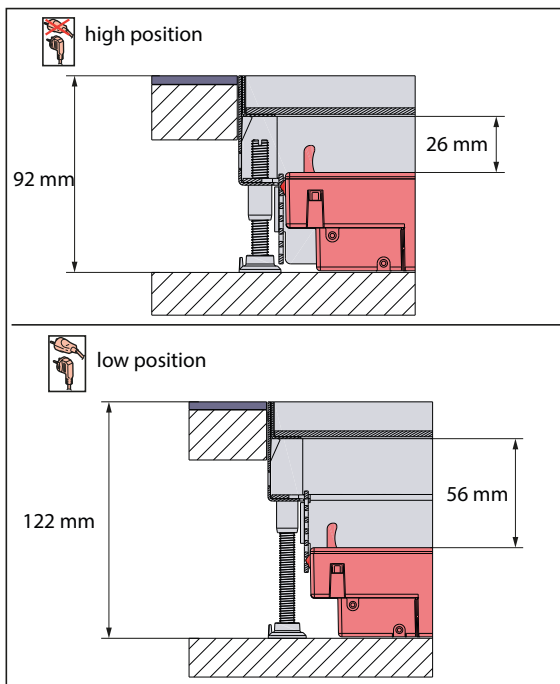
3.1 Support Kits

3.1.1 Adjustable horizontal mounting floor boxes Support Kits with empty baskets



Cat. nos	Number of modules	C	D	E
0 881 20	3x4M	264.1	180.9	92
0 881 21	3x6M		218.9	
0 881 22	3x8M		263.9	

Empty basket position

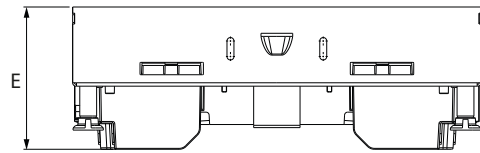
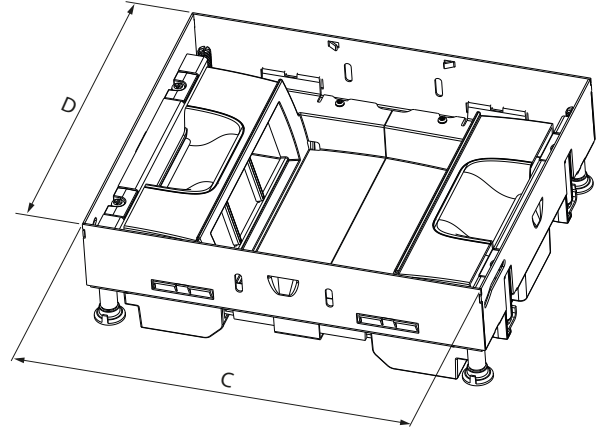


3. DIMENSIONS (cont.)

3.1.2 Fixed Vertical mounting floor boxes Supports Kits with empty baskets

3.1.2.1 Supports Kits

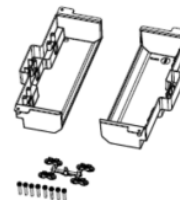
In order to connect all types of user plugs (straight and angle) and to be able to close correctly the lid, we advise to use 2 P+E sockets, 45° inclined version with upward earth pin, as below:



Cat. nos	Number of modules	C	D	E
0 881 23	2x4M	264.1	180.9	92
0 881 24	2x6M		218.9	
0 881 25	2x8M		263.9	

3.1.2.2 Insulation boxes

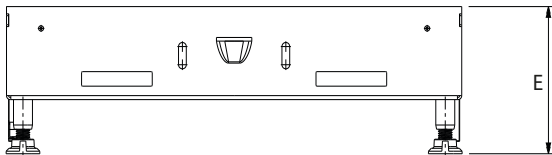
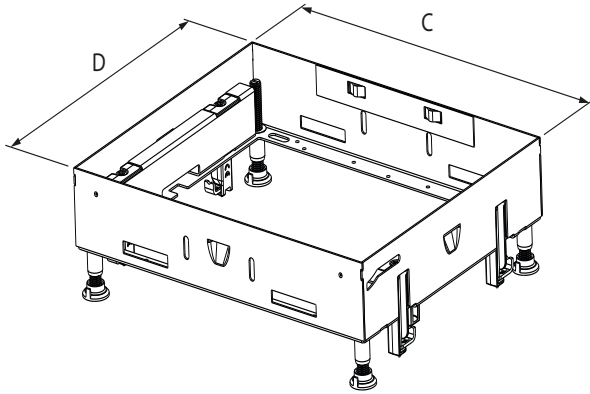
Cat. nos	Number of modules
0 880 26	2x4M
0 880 27	2x6M
0 880 28	2x8M



3. DIMENSIONS (cont.)

3.1.3 Access trap boxes

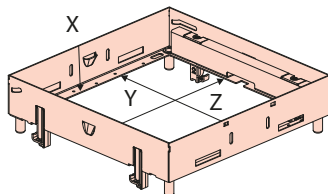
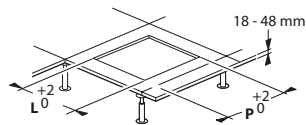
3.1.3.1 External dimensions



Cat. nos	C	D	E
0 881 39	264.1	180.9	81
0 881 40		218.9	
0 881 41		263.9	

3.1.3.2 Internal dimensions

	P (mm)	L (mm)
8/12 M	265	182
12/18 M	265	220
16/24 M	265	265

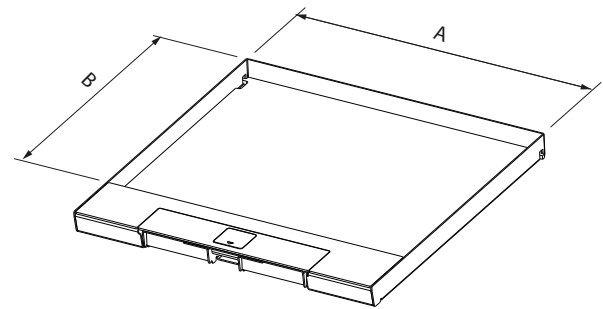


Cat. nos	X	Y	Z
0 881 39	51	147,9	231.3
0 881 40		185,9	
0 881 41		230,9	

3. DIMENSIONS (cont.)

3.2 Metal Lids & Trims

2 finishes	8/12M	12/18M	16/24M
stainless	0 881 03	0 881 04	0 881 05
brass	0 881 06	0 881 07	0 881 08

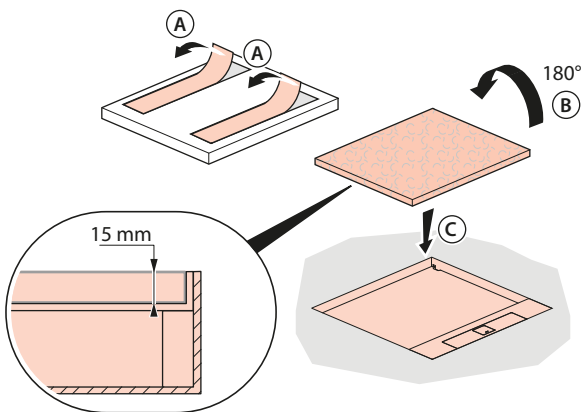


Cat. nos		A	B
0 881 03	0 881 06	258.5	126.3
0 881 04	0 881 07		164.3
0 881 05	0 881 08		209.3

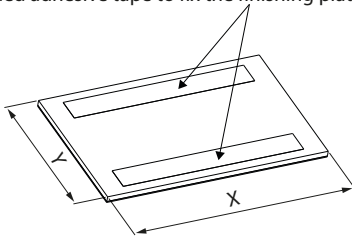
3. DIMENSIONS (cont.)

3.3 Finishing plates for metal lid & trims

2 finishes	8/12M	12/18M	16/24M
stainless steel	0 881 45	0 881 46	0 881 47
brass	0 881 48	0 881 49	0 881 50



Double sided adhesive tape to fix the finishing plate on the lid & trim



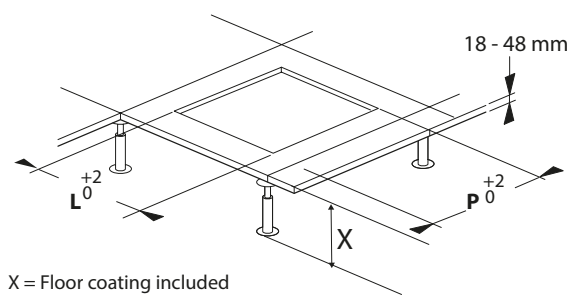
Cat. nos	X	Y
0 881 45/0 881 48	257	125
0 881 46/0 881 49		163
0 881 47/0 881 50		208

Remove protection adhesive tape from finishing lids and plates **ONLY WHEN THE BUILDING IS READY TO RECEIVE ITS OCCUPANTS** (= heated and normal hygrometry rate 45-65 %).

4. INSTALLATION

4.1 Floor cutting

Socket mounting position	X (mm) mini	8/12M	12/18M	18/24M
Horizontal adjustable	92	0 881 20	0 881 21	0 881 22
Vertical fixed	92	0 881 23	0 881 24	0 881 25
Access trap	81	0 881 39	0 881 40	0 881 41
L (mm)	-	182	220	265
P (mm)	-	265	265	



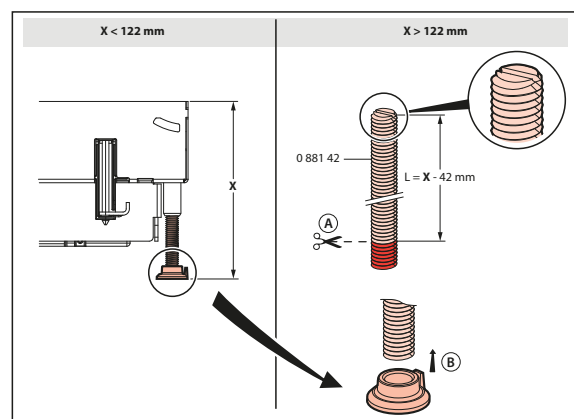
4.2 Set of feet for Height >122 mm reference 0 881 42

- If sub floor height is over 122 mm and up to 300 mm maxi, use the accessory ref. number 0 881 42 and cut the screw according to the sub floor height and fix the feet

made of 4 screw-on feet

For support kits cat nos 0 881 20/21/22/23/24/25/39/40/41

Fitted instead of the original feet



5. GENERAL CHARACTERISTICS

■ 5.1 Mechanical characteristics

Protection to :

IP30 with the cover closed
 IP20 with the cover opened
 IP24 of sockets outlets with the cover closed

Resistance to impacts : IK08 with the cover closed

Self-extinguishing : + 650°C/30s for parts made of insulating materials according to EN60095-2-11
 The intlets of conduits or cables are pre-cutting for an easier installation.

Classification floor boxes according to the IEC 60670-1 et IEC 60670-23 standard :

7.1 The nature of their material	Composite
7.2 The method of installation	Flush, semi-flush or embedded in non-combustible floors
	Placement suitable for installation into concrete during the casting process
	Floor boxes or enclosures installed in floor subjected to dry treatment
7.3 The type of inlets (outlets)	Without inlets. Inlet openings will be made during installation
7.4 The clamping means	With clamping means
7.5 The minimum and maximum temperatures during installation	-5°C to +60°C
7.6 The maximum temperature during the casting process	+60°C
13 Protection against ingress of solid objects & against harmful ingress of water	IP30 cover closed / IP20 cover opened
15.101 Resistance to vertical load through a small surface	500 N

Maximum vertical load Resistance

Flush range Floor boxes	References of the lid & trim	small surface (1 cm ²)	large surface (Ø 130 mm)
Metal	0 881 03 to 0 881 08	2 500 N	5 000 N

Safety : Check that the system is earthed

5. GENERAL CHARACTERISTICS (cont.)

■ 5.2 Material characteristics

Floor boxes Material list

. Plastic materials : ABS
 . Galvanized steel (Z140)
 . Stainless steel
 . Galvanized steel (Z275)
 . Brass

Back boxes Material list

. Galvanized steel (Z140)
 . Plastic materials : ABS

6. CARE

Superficial cleaning with a cloth. Do not use abrasive products or detergents.

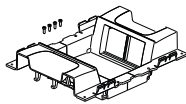
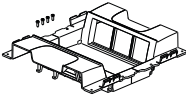


Caution: Always test before using other special cleaning products.

Brass Raw Brushed : material which evolves with time, it gets veiled and takes a patina. However, a regular cleaning can restore its initial appearance.
 Use a special copper cleaner with an antioxidant formula such as "Mirror copper cleaner" or equivalent. Scrub with a soft brush in the direction of the finish brushing.

7. STANDARDS & APPROVALS

Compliant with installation and manufacturing standards.
 See e. catalogue.

8. SPARE PARTS

Description		Spart parts cat. nos		for cat. nos
Vertical position sockets support	2x4M	981352		0 881 23
	2x6M	981353		0 881 24
	2x8M	981354		0 881 25
4 adjustable height feet		981356		0 881 20/21/22/23/24/25/39/40/41