

KATRO V2LED

Downlight fitting



[V] 220-240 AC	[Hz] 50/60	[°] 110	≥20000	[h] 15000	ellipse ≤ 6x MacAdam	Ra ≥80
SMD			IP 44/20		5÷25	
	[m] 0,05	[mm²] 0,75	0,5m		CE	EAC



KATRO V2LED 12W-NW-SN	27214	12	nickel satin nikiel satynowy	780	110	4000
KATRO V2LED 18W-NW-SN	27215	18	nickel satin nikiel satynowy	1250	110	4000
KATRO V2LED 24W-NW-SN	27216	24	nickel satin nikiel satynowy	1700	110	4000
KATRO V2LED 6W-NW-SN	27217	6	nickel satin nikiel satynowy	300	110	4000
KATRO V2LED 12W-NW-SR	28939	12	silver srebrny	660	110	4000
KATRO V2LED 12W-NW-W	28940	12	white biały	780	110	4000
KATRO V2LED 12W-WW-W	28941	12	white biały	720	110	3000
KATRO V2LED 18W-NW-SR	28942	18	silver srebrny	1080	110	4000
KATRO V2LED 18W-NW-W	28943	18	white biały	1260	110	4000
KATRO V2LED 18W-WW-W	28944	18	white biały	1200	110	3000
KATRO V2LED 24W-NW-W	28945	24	white biały	1680	110	4000
KATRO V2LED 6W-NW-W	28946	6	white biały	330	110	4000
KATRO V2LED 6W-WW-W	28947	6	white biały	300	110	3000



- Enclosure material: aluminum alloy
- Lampshade material: plastic

KATRO V2LED

Downlight fitting



KATRO V2LED 12W-NW-SN



KATRO V2LED 18W-NW-SN



KATRO V2LED 24W-NW-SN



KATRO V2LED 6W-NW-SN



KATRO V2LED 12W-NW-SR



KATRO V2LED 12W-NW-W



KATRO V2LED 18W-NW-SR



KATRO V2LED 18W-NW-W

KATRO V2LED

Downlight fitting



KATRO V2LED 18W-WW-W



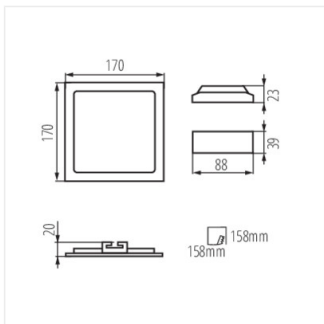
KATRO V2LED 24W-NW-W



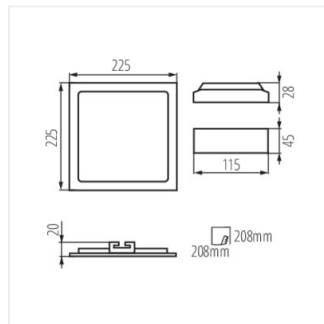
KATRO V2LED 6W-NW-W



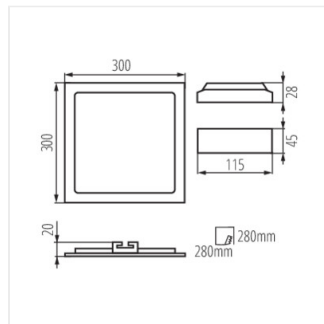
KATRO V2LED 6W-WW-W



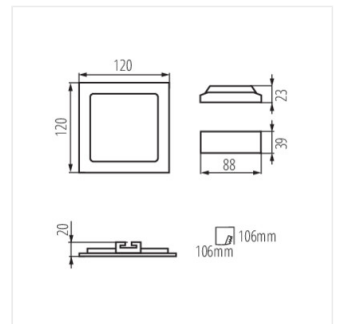
KATRO V2LED 12W



KATRO V2LED 18W



KATRO V2LED 24W



KATRO V2LED 6W